

A forum for woodworkers of all skill levels to share their common interests



Northwest Woodworkers' Guild



The Sawdust News

November 2011 Holiday Edition



<http://www.nwwguild.org>

Next Meeting:

Innovation in the Workshop

by Paul Stoops

December 8

▶ 6:30 PM ◀

**Woodcraft Supply
5963 Corson Ave S
Seattle, WA 98108**

Guild Officers

President—Bob Schaefer
Vice-president and Membership—Sally Wright
Treasurer—Chris Green
Secretary—Rick Tydings
Programs—Al Falco, Don McNutt, Jack Martin, Ed Moore, Ray Ross
Raffle—Tom Murray, Herb Stoops

The following are volunteer positions and are not Officers of the Guild:

Webmaster
Tom Howorth
thoworth@gmail.com

Newsletter
Steve Krauss
catbert@oz.net
425-746-5067



President's Message

— by Bob Schaefer

The October 27 meeting was at the McKinnon furniture facility, where they fabricate high end custom built furniture using predominately cherry, walnut and maple woods. Our hostess was Sheila McKinnon, the CEO of the company. She demonstrated many of the specialized woodworking machines which are essential for what is really a small factory. She also answered questions. The evening was informative and enjoyed by the 22 or more members who were present. Thank you, Sheila.

As you all are aware there is no meeting in November due to the Thanksgiving eat-a-thon. The next meeting will be December 8 which as usual is a Thursday. No meeting toward the end of December because of the multiple holidays. A reminder that the January 2012 meeting will be at Daly's on Stone Way in the Fremont ditrict January 26th

Our December 8 meeting at Woodcraft will be a big one. The program will be presented by Paul Stoops (see description elsewhere in this newsletter) and will be some 90 minutes duration. Those of you who heard Paul the last time he did a program, four years ago at Seattle Central Community College will recall what a truly outstanding event that was. Because of the length of the program there will be no raffle and no show and tell. There also will be no gift exchange this year except that Herb Stoops (yes, he is related to Paul) will distribute gift items which he has made to all those in attendance. There will be food and appropriate beverages. At the very end of the meeting the winner of the Attendance Sweepstakes will be announced. The Prize is a \$25.00 gift certificate from Woodcraft Supply. **THE WINNER MUST BE PRESENT TO CLAIM THE PRIZE .**

This promises to be a great meeting, so in the words of the general director of Seattle Opera "It's gonna be a great show--don't miss it!"

Finally, and this cannot be said often enough, sincere ten to the third Thanks to Ron and Michelle Hall for providing the Guild with such a great meeting place.

No December Show-and-tell/Raffle

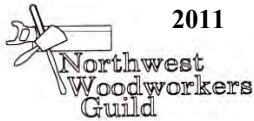
Paul Stoops' presentation will be around 90 minutes in length, so we are (once again) going to postpone the Show-And-Tell and the Raffle. Look for them to return in January, 2012!

Paul Stoops' December Meeting

The Northwest Woodworkers Guild presentation on December 8, 2011 to be given by Paul Stoops will be entitled "Innovation in the Workshop – The Making of a DOTS and a FTSS".

This will be a two-part narrated slide show illustrating some examples of reengineering and innovation in the workshop. Come and see the changes that can be accomplished by implementing some novel ideas and Yankee ingenuity. You might just take home some ideas that you can improve upon or put to use in your own shop. This should be a memorable conclusion to our Woodworkers Guild year. Hope to see you there.

A forum for woodworkers of all skill levels to share their common interests



Northwest Woodworkers Guild
Steve Krauss, Newsletter Editor
16204 Main St
Bellevue, WA 98008

Member's Discounts

All members in good standing receive a membership card that will allow them to get a discount at the stores listed below:

Crosscut Hardwoods
4100—1st Avenue S.,
Seattle 98134
10% Discount

Rockler Woodworking
3823 Stone Way N.
Seattle 98103
10% Discount (not valid on power tools)

Woodcraft Supply
5963 Corson S.,
Seattle 98108
10% Discount (not valid on power tools or workbenches)

Edensaw Woods
8032 S. 194th St.
Kent, WA 98032

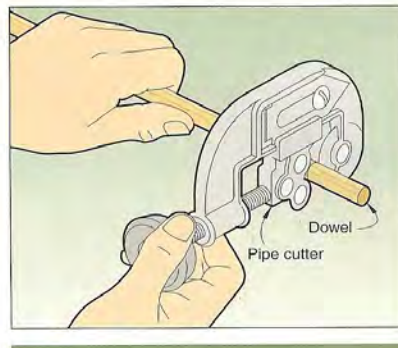
Please present your current membership card to receive your discount.

Shop Tip (submitted by Herb Stoops)

TUBING CUTTER ON DOWEL SCORES BIG

To score hardwood dowel rod, whether for decorative purposes or to reduce splintering when cutting it, use a tubing cutter. It produces a clean line with several light passes, and doesn't tear the surrounding wood fibers.

—Philip Daniels, Lunenburg, Nova Scotia, Canada



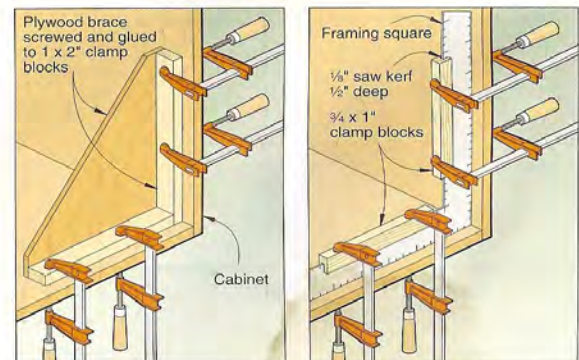
PLYWOOD BRACE SQUARES UP CABINETS

Here are two simple methods I've used to square up cabinets. If you build a lot of cabinets, you'll find plenty of use for plywood braces like the one below.

If you don't want to store or build such braces, just groove two

blocks of wood to fit snugly over the blades of a framing square, as shown below. These clamp blocks provide the clamp jaws with surfaces to bite against.

—Tom Moore, Clarksville, Va.



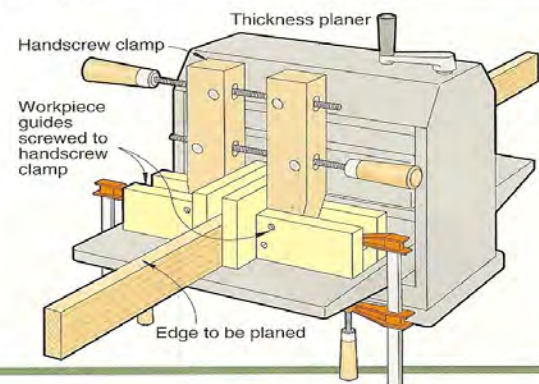
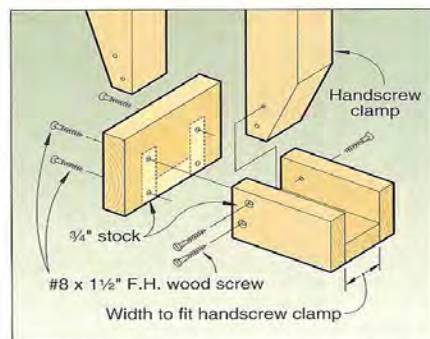
MILL UNIFORM WIDTHS WITH YOUR PLANER

With an old handscrew clamp and some scraps of hardwood, you can set up your thickness planer, as shown below, right to mill uniform-width door or cabinet stiles, rails, and other pieces with jointer-smooth, square edges.

Prepare your workpieces by jointing one edge and ripping the other edge so the workpieces are slightly too wide. Then, clamp one of the workpiece guides to your planer's infeed table, and adjust its face 90° to the planer table. Adjust

the face of the opposite guide so the part fits snugly between the guides. Clamp the other guide down. Fine-tune the snugness of the guides on the workpiece with a handscrew clamp.

—Bob Killian, Lubbock, Texas



October Meeting at McKinnon Furniture









